



FINE SEED PLANTERS



APPLICATION OF:

- FINE SEED CROPS
- LARGER SEEDS
- FERTILISER (GRANULE SIZE) WITH SEED



MODELS:	1.8 m FINE SEED PLANTER	2.3 m FINE SEED PLANTER	2.8 m FINE SEED PLANTER
CODE	FPLD18	FPLD23	FPLD28
IMPLEMENT MASS (UNLOADED)	880 kg	940 kg	1250 kg
DIMENSIONS (W X L X H)	2.2 x 1.6 x 1.1 m	2.7 x 1.6 x 1.1 m	3.2 x 1.6 x 1.1 m
PLANTING WIDTH	1.8 m	2.3 m	2.8 m
NUMBER OF LOOSENING TINES	8	10	12
SEED/FERTILISER VOLUME (LITRE)	103	132	160
FINE SEED VOLUME (LITRE)	31	40	48
TOWING ACTION	3-point (cat 2)		
TRACTOR REQUIRED	55Hp (lifting)		75Hp (lifting)



GENERAL FEATURES:

PLANTING UNIT:

- Light soil loosening tines
- Clod-breaking roller
- Compaction roller (Different types of rollers available for different applications)

SEED BIN:

- Two seed bins with individual calibration
- Compartment for fine seed
- Bounce plate ensure even spread of seed
- Order of seed bins can be swapped around & the distance between seed bins can be adjusted or changed according to preference

DRIVING OF SEED BIN:

- Simple drive chain from front roller
- No clutch mechanism required
- Ground speed drive of seed bin; means that you can change your speed at any time; without effecting the calibration of the seed bin. This means; that you can use an inexperienced tractor driver.

FRAME:

- Simple & robust construction for extreme working conditions

LIFTING ACTION:

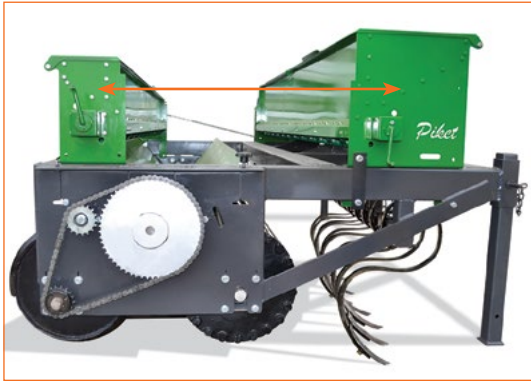
- Three-point

ADVANTAGES:

- Known for excellent germination
- Very even distribution of seed
- Two seed bins allow for sowing 2 types of seed (or seed & fertiliser) simultaneously.
- Simple mechanism eliminates errors during planting process
- Driver friendly
- Robust frame & rollers
- Few parts to wear down
- Use standard bearings, chains & sprockets



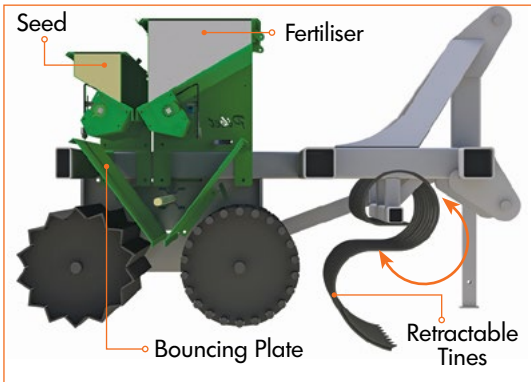
FINE SEED PLANTERS



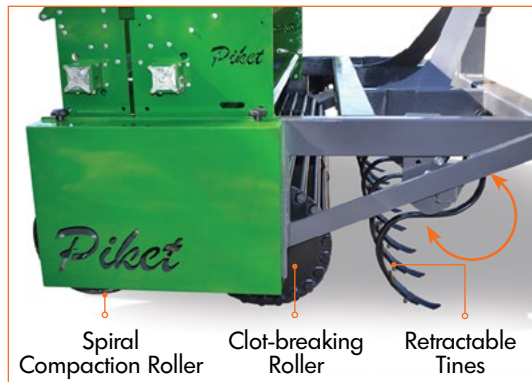
INTERCHANGEABLE SEED BINS



SEED BINS INSIDE VIEW



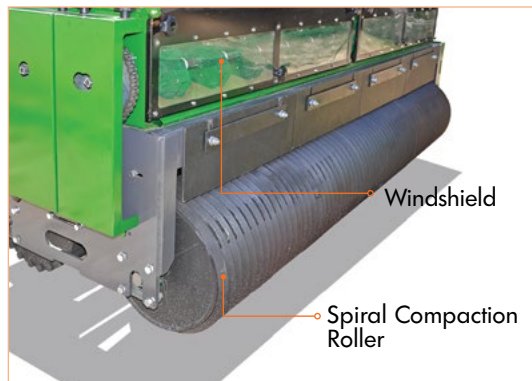
SEED BINS CROSS-SECTION



PLANTING UNIT BASIC COMPONENTS



COMPONENTS CAN BE CUSTOMISED TO FIT YOUR NEEDS & PREFERENCES



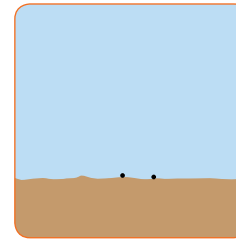
SPIRAL COMPACTION ROLLER

PLANTING UNIT OPERATION:

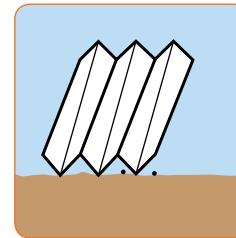
The **tines** loosen the soil. The **clod-breaking roller** breaks the large clods & the **seeds are then sown onto the soil** just ahead of the compaction roller which then **compacts** it. Tines lift up tractor wheel tracks & **ensures an even surface** for maximum germination.

APPLICABLE TO THE SPIRAL COMPACTION ROLLER:

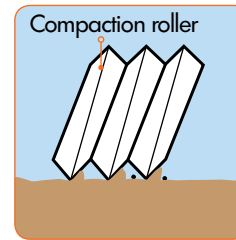
The excellent seed germination is mainly due to the **unique design of the spiral compaction roller**. When the spiral-rolled angle-iron is rolled over the soil surface, it not only executes a compaction action, but a sideways worm-screw action as well. This action ensures that the **seeds are covered with a thin layer of soil during the compaction**.



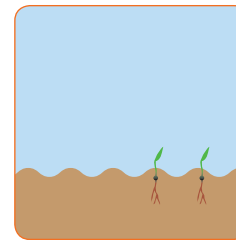
1. Seeds are placed on the soil ahead of the compaction roller.



2. Compaction roller moves over the seeds.



3. The compaction roller's worm-screw action moves a thin layer of soil sideways while rolling over the seeds. The seeds are compacted at the same time.



4. The seed bed left behind is ideal for seed germination.